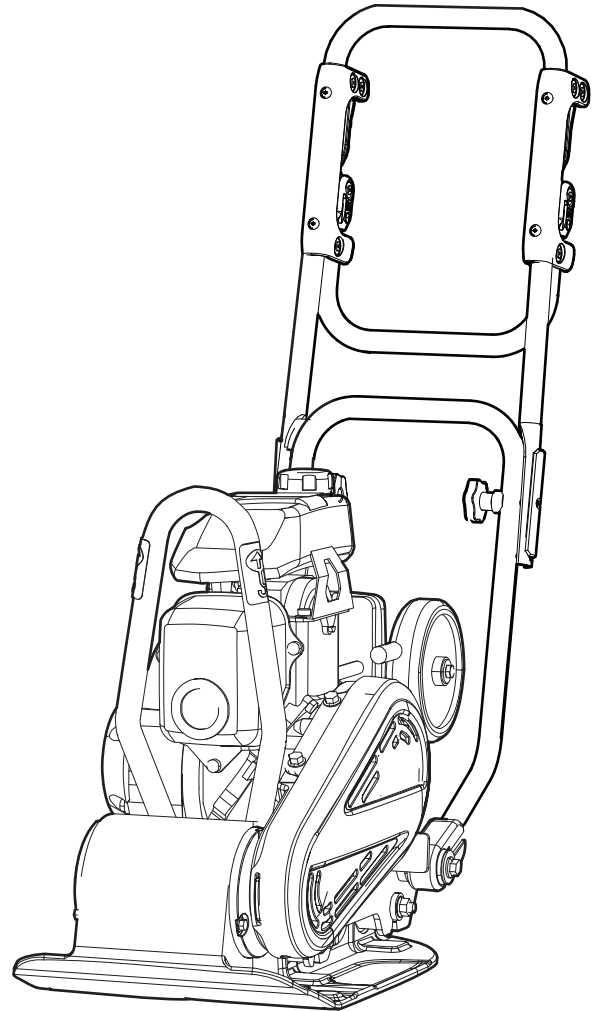


Spare parts list

Forward plate

	Valid from serial number
LF 60 Honda L 350 mm	27608531
LF 60 Honda L 350 mm	BGF000001



Contents

General information	5
Spare parts list	6
Engine plate installation, Honda	6
Ground plate installation	8
Transport device	10
Engine installation, Honda	12
Engine, Honda GX 100 SE3 OH	14
Transmission cover, Honda	16
Standard handle, old version	18
Standard handle, new version	20
Vibration damped handle	22
Labels	24
Kits	26
One year service kit	26
Shock absorber repair kit	26
Eccentric element repair kit	26
Transport device kit	27
Handle kit	28
Vibration damped handle kit	29

General information

This spare parts list applies to the following:

Part number	Description
3382 0000 33	Forward plate LF 60 Honda L 350 mm (13.78 in.)

Use only authorized parts. Any damage or malfunction caused by the use of unauthorized parts is not covered by Warranty or Product Liability. Any unauthorized use or copying of the contents or any part thereof is prohibited. This applies in particular to trademarks, model denominations, part numbers, and drawings.

Instructions for use

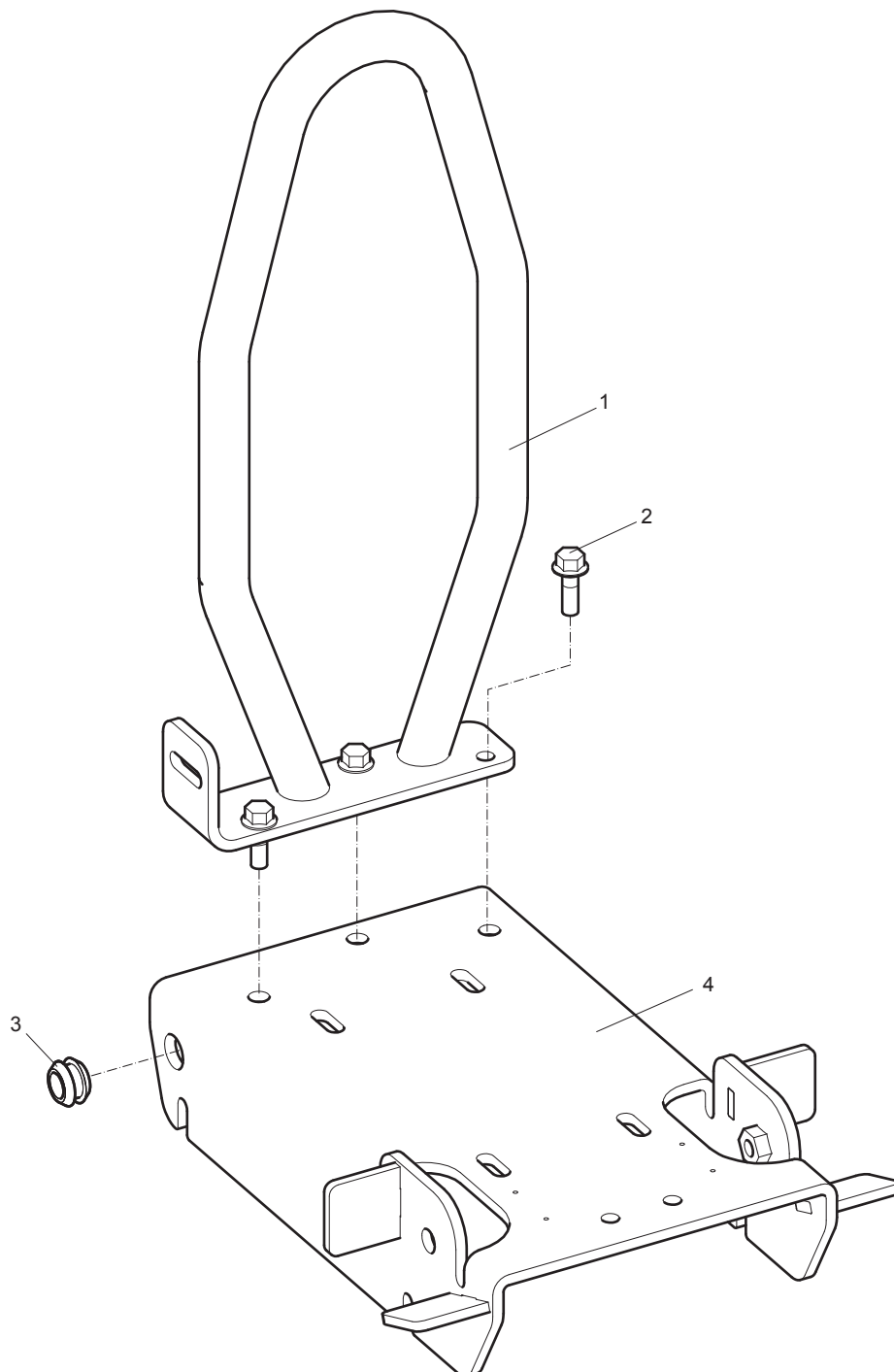
This spare parts list contains no safety regulations and is merely intended to assist in the ordering of spare parts.

For information about operating, servicing, or repairing, the relevant Safety and operating instructions must be consulted at all costs.

Please observe the safety instructions listed in the relevant Safety and operating instructions!

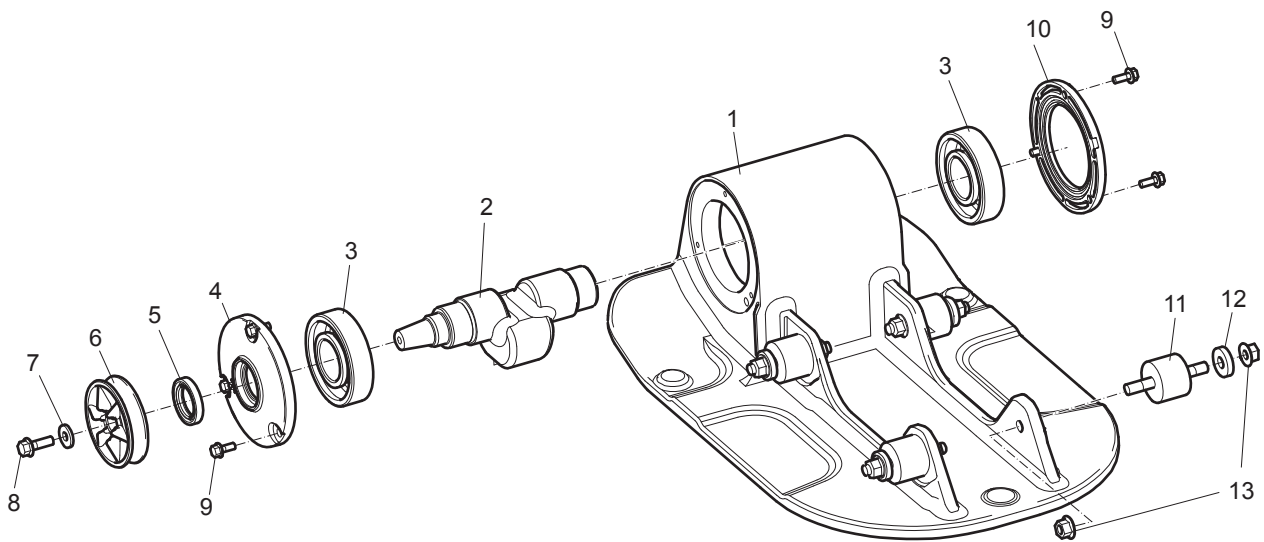
Spare parts list

Engine plate installation, Honda



No.	Description	Remark	Quantity	Part number
1	Lifting eye		1	3382 0101 28
2	Screw	M8 x 20 mm 8.8 A2K	3	-
3	Grommet		2	4700 9091 07
4	Engine plate		1	3382 0101 34

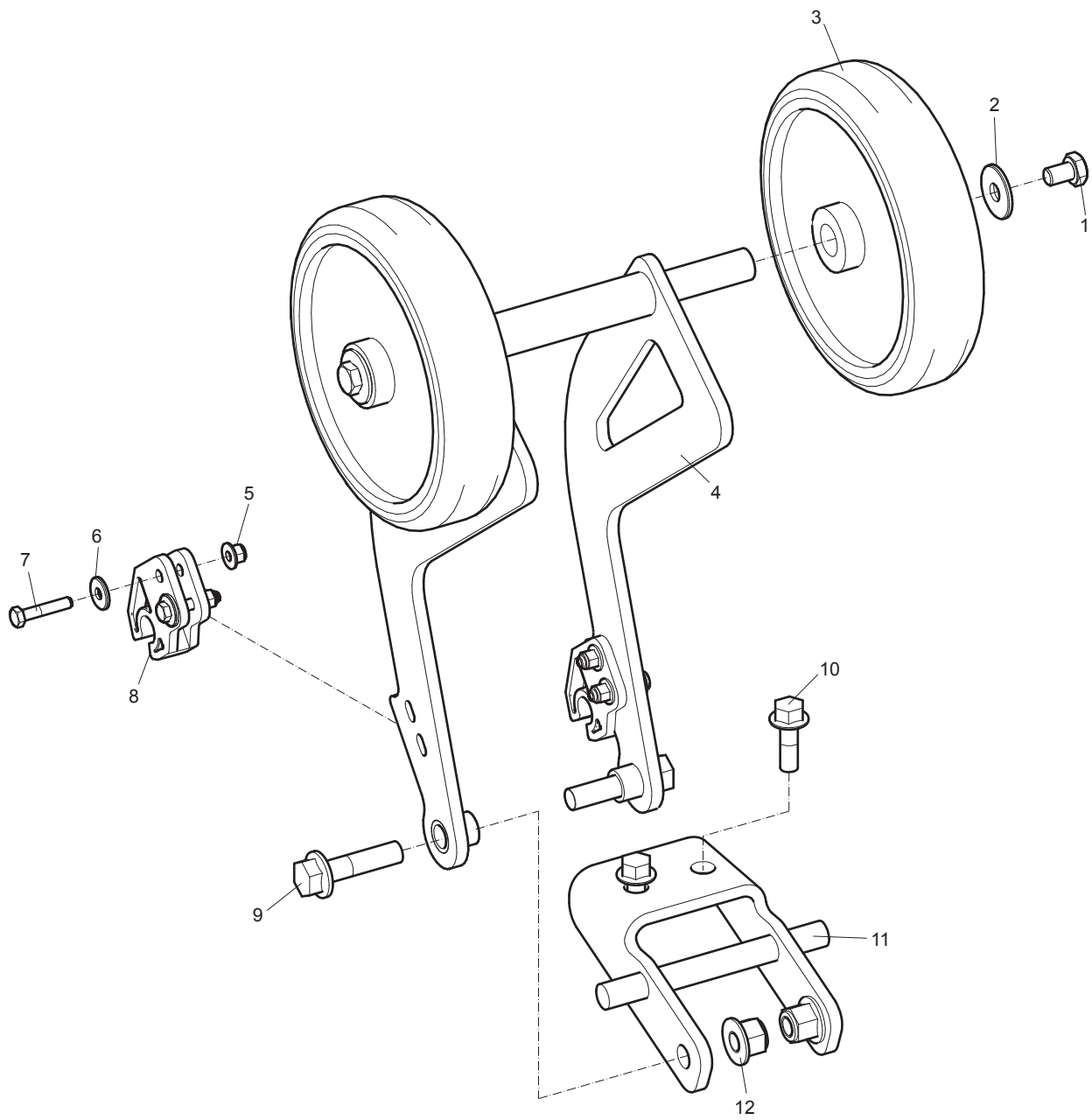
Ground plate installation



No.	Description	Remark	Quantity	Part number
1	Ground plate		1	3382 0101 47
2	Eccentric shaft		1	4700 3918 76
3	Ball bearing		2	4700 7927 10
4	Cover		1	4700 3965 48
5	Lip-type oil seal		1	4700 1631 05
6	V-belt pulley		1	4700 3950 13
7	Washer	8.4 x 22 x 3 mm 0.33 x 0.87 x 0.12 in.	1	-
8	Screw	M8 x 25 mm 8.8 A2K	1	-
9	Screw	M6 x 16 mm 8.8 A2K	6	-
10	Cover		1	4700 3965 49
11	Shock absorber		4	4700 7927 06
12	Washer	10.5 x 28 x 6 mm 0.41 x 1.10 x 0.24 in.	4	-
13	Nut	M10 x 1.5 mm GEOMET®	8	4700 5701 03

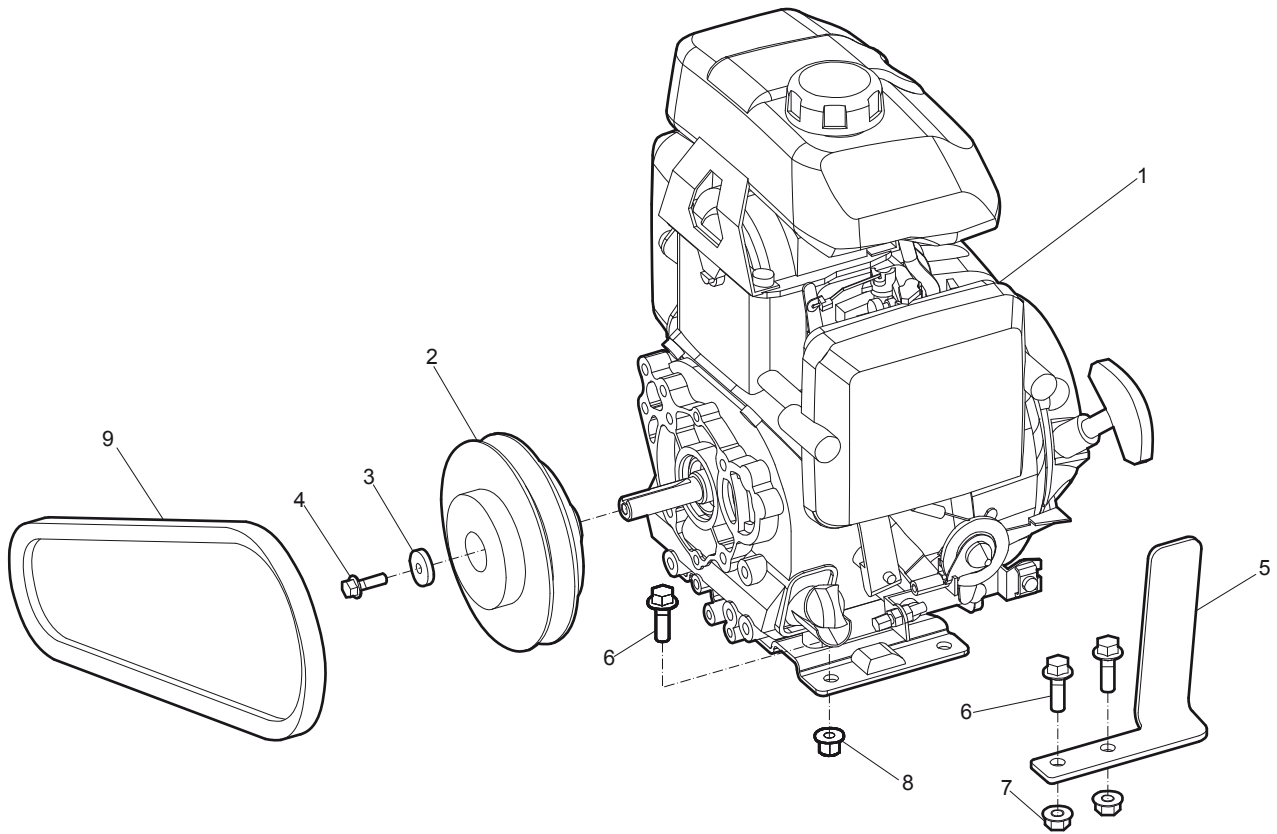
GEOMET is a registered trademark of Nof Metal Coatings North America Inc.

Transport device



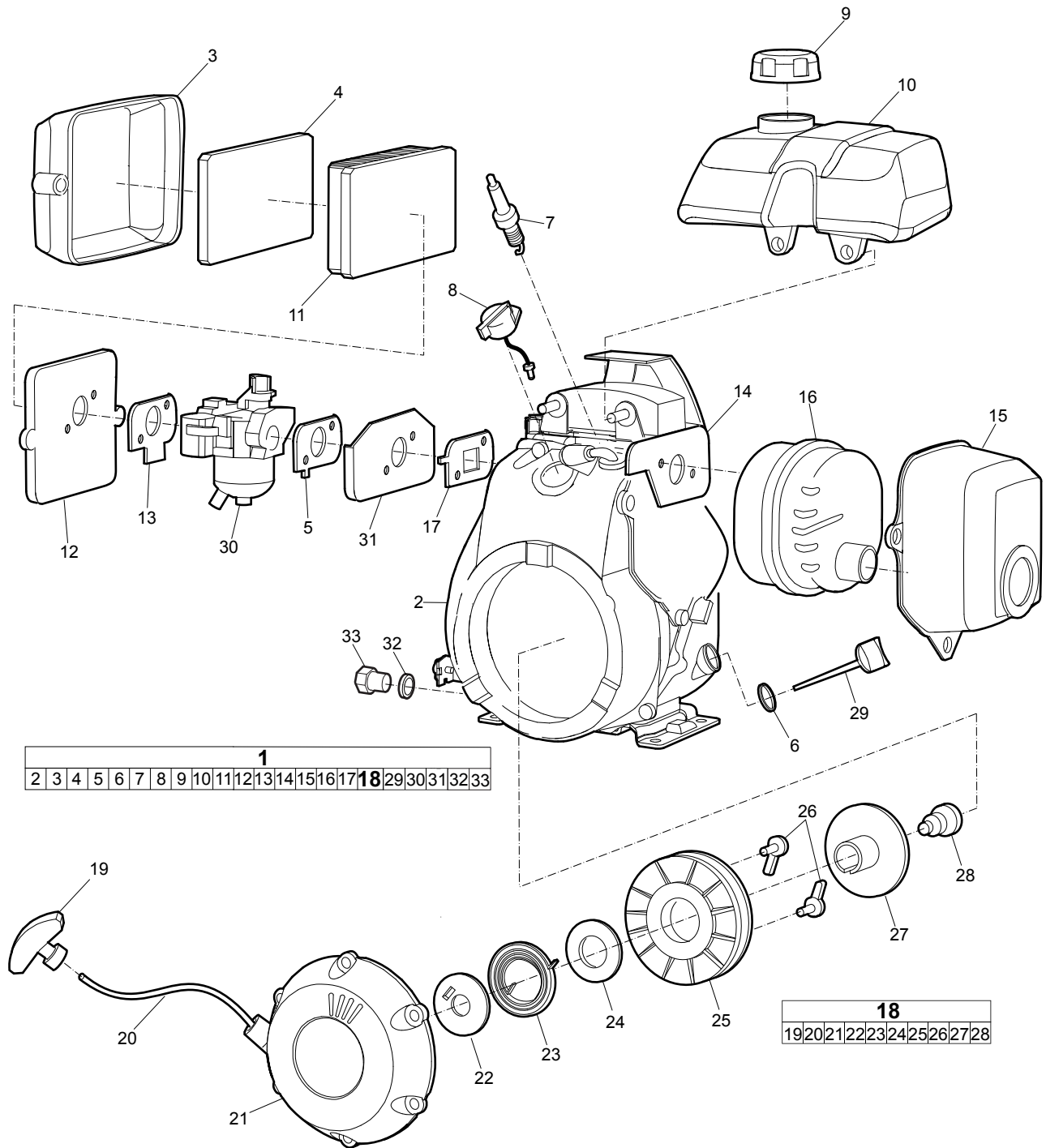
No.	Description	Remark	Quantity	Part number
1	Screw	M8 x 12 mm 8.8 A2K	2	-
2	Washer	8.4 x 25 x 2 mm 0.33 x 0.98 x 0.08 in.	2	-
3	Wheel		2	4700 3835 82
4	Bracket		1	3382 0102 20
5	Nut		4	4700 9022 84
6	Washer	8.4 x 25 x 2 mm 0.33 x 0.98 x 0.08 in.	4	-
7	Screw	M5 x 25 mm 8.8 A2K	4	-
8	Clip		2	-
9	Screw with flange	M10 x 40 mm 8.8 A3K	2	-
10	Screw	M8 x 25 mm 8.8 A2K	2	-
11	Bracket		1	3382 0102 19
12	Nut	M10 x 1.5 mm A3K	2	-

Engine installation, Honda



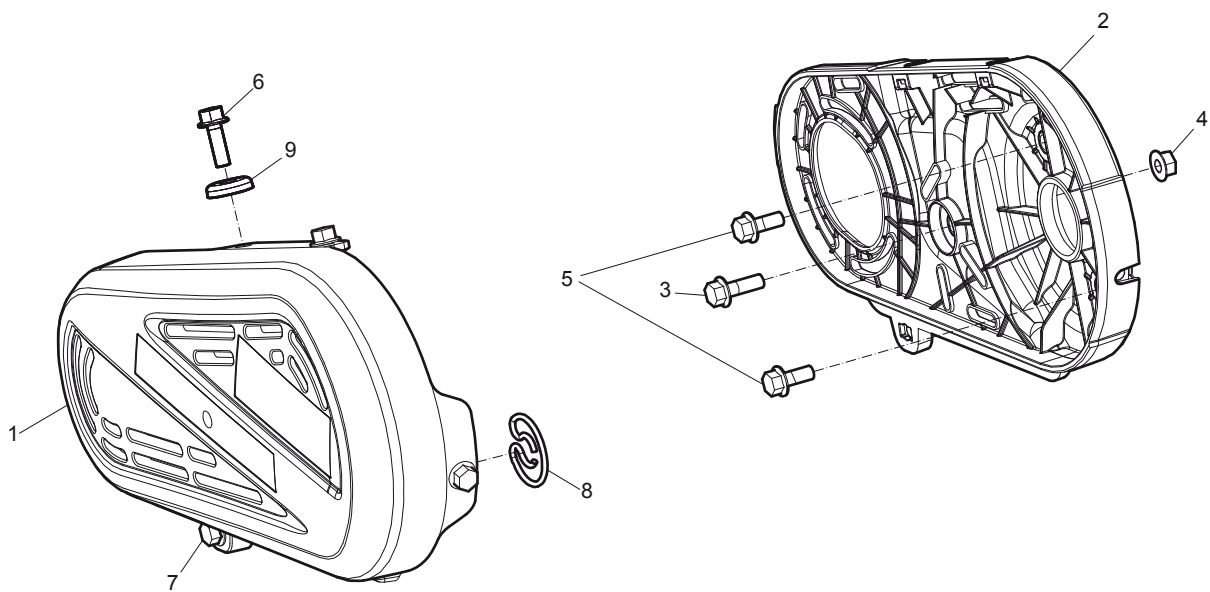
No.	Description	Remark	Quantity	Part number
1	Engine	See section "Engine"	1	-
2	Centrifugal clutch		1	4700 3919 93
3	Washer	6.4 x 22 x 4 mm 0.25 x 0.87 x 0.16 in.	1	-
4	Screw	M6 x 20 mm 8.8 A2K	1	-
5	Protective plate		1	4700 3959 38
6	Screw	M8 x 25 mm 8.8 A2K	6	-
7	Nut	M8 x 1.25 mm A2K	2	-
8	Lock nut	M8 x 1.25 mm A2K	4	-
9	V-belt		1	4700 3956 57

Engine, Honda GX 100 SE3 OH



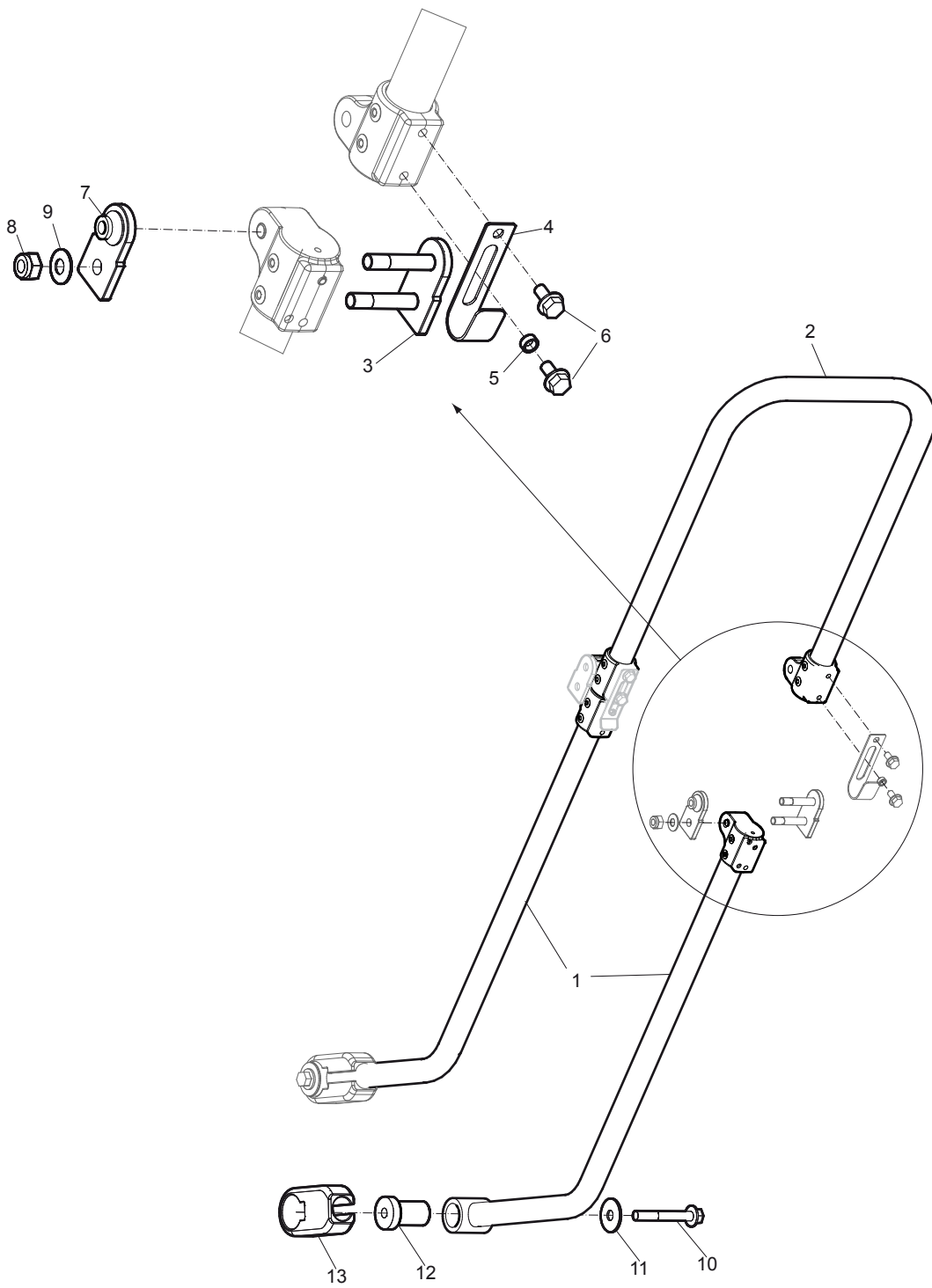
No.	Description	Remark	Quantity	Part number
1(2-17,18,29-33)	Engine, complete	Honda GX 100 SE3 OH	1	4700 3879 90
2	Engine		1	-
3	Air filter cover		1	4700 9389 75
4	Air filter	Outer	1	4700 9389 33
5	Gasket		1	4700 9382 85
6	Sealing		1	4700 9384 77
7	Spark plug		1	4700 9389 34
8	Switch		1	4700 9402 93
9	Fuel cap		1	4700 9396 88
10	Fuel tank		1	4700 9396 87
11	Air filter	Inner	1	4700 9389 32
12	Air filter housing		1	4700 9398 62
13	Gasket		1	4700 9407 49
14	Gasket		1	4700 9397 37
15	Cover		1	3382 1001 37
16	Silencer		1	4700 9389 71
17	Gasket		1	4700 9456 59
18(19-28)	Recoil starter, complete	Black	1	3382 1001 38
19	Handle		1	4700 2393 71
20	Rope		1	4700 9396 90
21	Cover	Black	1	3382 1001 39
22	Plate		1	3382 1001 40
23	Spring		1	4700 2393 75
24	Washer		1	3382 1001 41
25	Reel		1	3382 1001 42
26	Ratchet		2	4700 9384 81
27	Guide		1	4700 9384 82
28	Set screw		1	4700 2393 81
29	Oil dip stick		1	4700 9389 77
30	Carburettor		1	4700 9396 86
31	Insulator		1	4700 9398 59
32	Gasket		1	4700 2383 03
33	Oil drain plug		1	4700 2393 75

Transmission cover, Honda



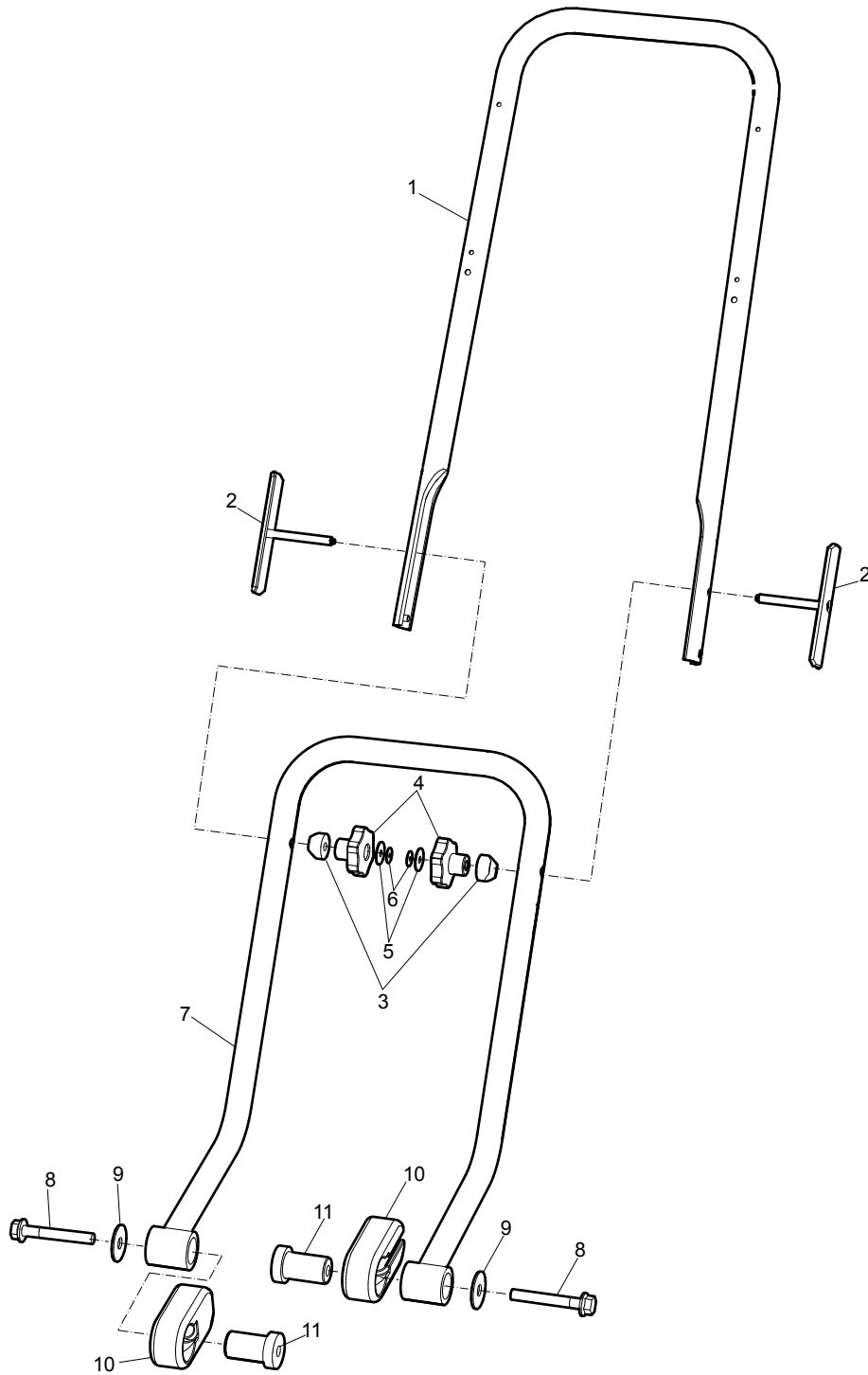
No.	Description	Remark	Quantity	Part number
1	Belt guard, outer		1	3382 0101 29
2	Belt guard, inner		1	4700 3939 66
3	Screw	M8 x 25 mm 8.8 A2K	1	-
4	Nut	M8 x 1.25 mm A2K	1	-
5	Screw	M8 x 20 mm 8.8 A2K	2	-
6	Screw	M8 x 30 mm 8.8 A2K	3	-
7	Screw		1	4812 0703 68
8	Lock spring		1	4812 0704 31
9	Washer		3	4812 0703 64

Standard handle, old version



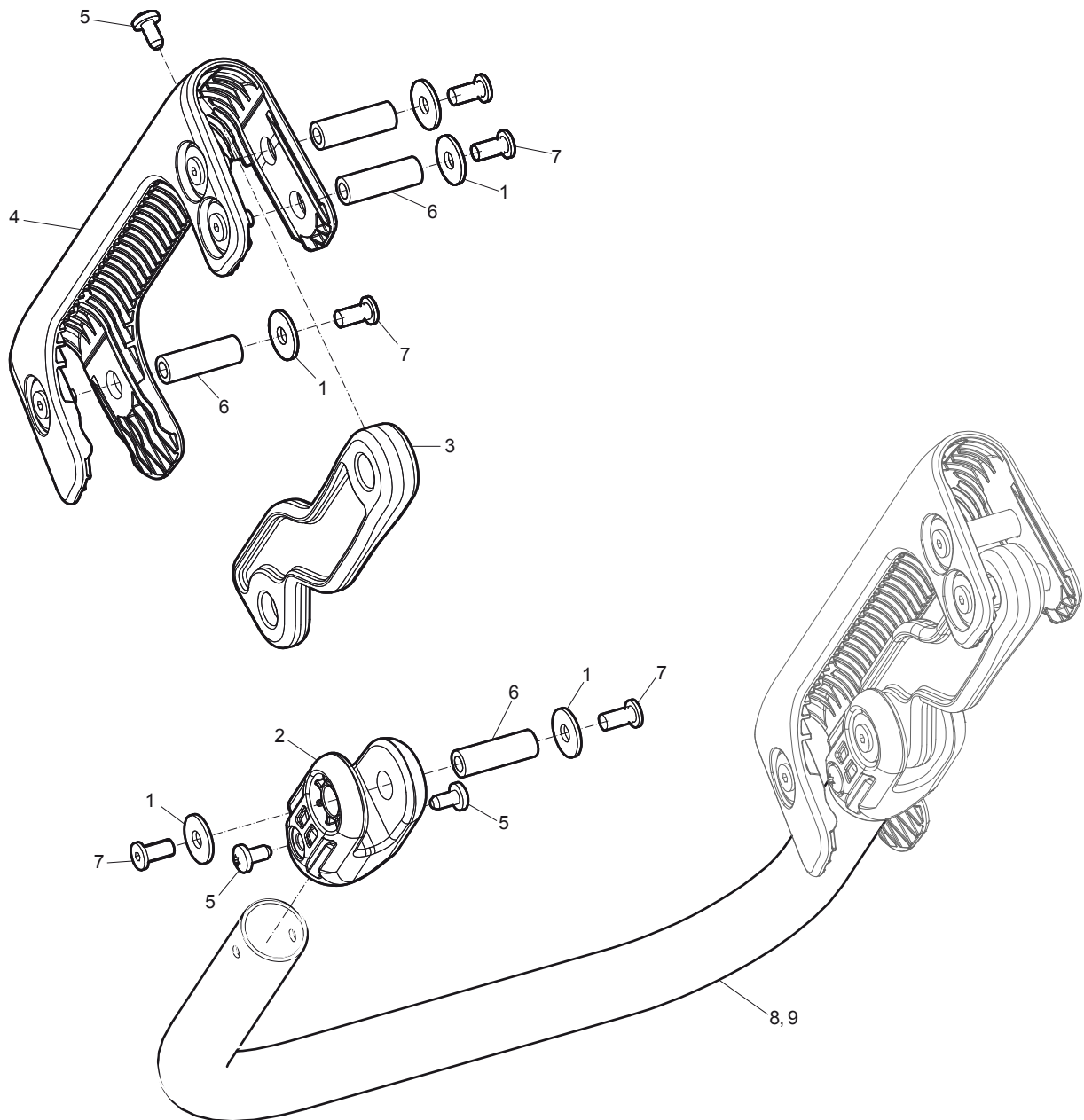
No.	Description	Remark	Quantity	Part number
1	Handle, lower part		2	3382 0101 23
2	Handle, upper part		1	3382 0101 24
3	Link		2	4700 3932 20
4	Cover		2	4700 3940 29
5	Spacer sleeve		2	4700 3941 45
6	Screw	M6 x 10 mm A2K	4	-
7	Washer		2	4700 3942 28
8	Lock nut	M8 -8 DIN985	4	-
9	Disc spring	18 x 8.2 x 1 mm 0.71 x 0.32 x 0.04 in.	4	-
10	Screw	M10 x 70 mm 8.8 A3K	2	-
11	Washer	11 x 35 x 2 mm 0.43 x 1.37 x 0.08 in.	2	-
12	Sleeve bearing		2	4700 3920 84
13	Shock absorber		2	4700 3918 22

Standard handle, new version



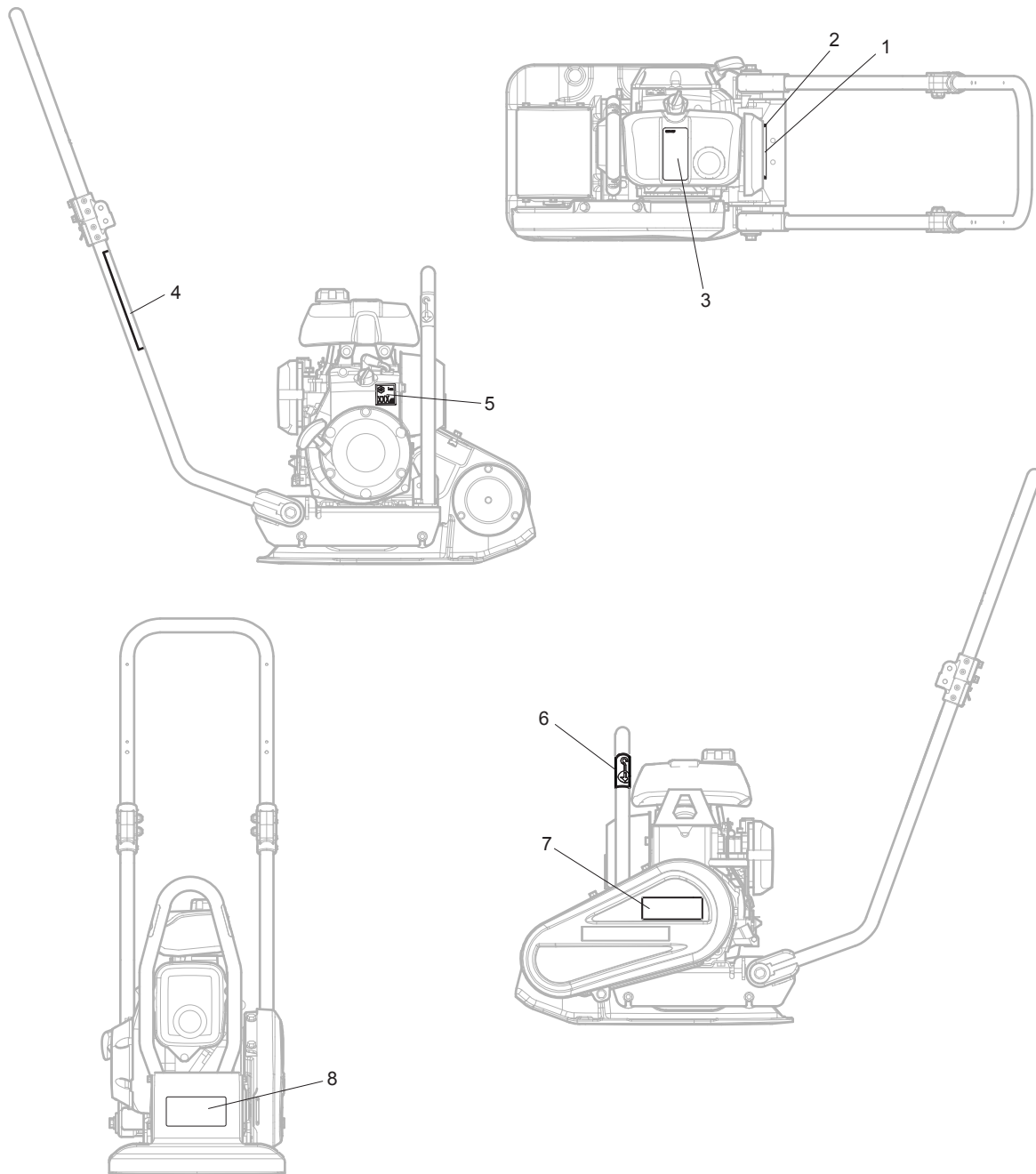
No.	Description	Remark	Quantity	Part number
1	Handle	Upper part	1	3382 0115 51
2	Bracket		2	4812 0707 21
3	Sleeve		2	4812 0707 19
4	Knob		2	4812 0707 20
5	Washer	5.3 x 10 x 1 0.21 x 0.39 x 0.04 in.	2	-
6	Retainer ring	4.8 x 7 x 0.6 mm 0.18 x 0.26 x 0.02 in.	2	-
7	Handle	Lower part	1	3382 0115 52
8	Screw	M10 x 70 mm 8.8	2	-
9	Washer	35 x 11 x 2 mm 1.38 x 0.43 x 0.08 in.	2	-
10	Shock absorber		2	4700 3918 22
11	Sleeve		2	4700 3920 84

Vibration damped handle



No.	Description	Remark	Quantity	Part number
1	Washer	6.4 x 18 x 1.6 mm A2T 0.25 x 0.71 x 0.06 in. A2T	16	-
2	Bracket		2	4700 3930 79
3	Shock absorber		2	4700 3918 24
4	Bracket		2	4700 3930 78
5	Screw	M5 x 10 mm A2K	8	-
6	Jointing nut	M6 x 30 mm 8.8	8	-
7	Screw	M6 x 12 mm 10.9 A2T	16	-
8	Handle		1	4700 3920 86
9	Handle	New version, use together with new standard handle.	1	3382 0115 45

Labels



No.	Description	Remark	Quantity	Part number
1	Data plate		1	-
2	Drive screw		4	-
3	Label	Assembly	1	4700 3947 08
4	Label	Start instruction	1	4700 3947 04
5	Noise level label		1	4700 7912 88
6	Label	Lift point	2	4700 3575 87
7	Product label	"LF 60"	1	3382 0101 50
8	Product label	"Atlas Copco"	1	3382 0100 79

Kits

One year service kit

One year service kit

Part number 3382 1000 00

Description	Remark	Quantity	Part number
Inner air filter		5	4700 9389 32
Outer air filter		5	4700 9389 33
Gasket	For oil dipstick	1	4700 9384 77
V-belt	See section "Engine installation"	1	4700 3956 57
Starting rope		1	4700 9396 90
Spark plug		1	4700 9389 34

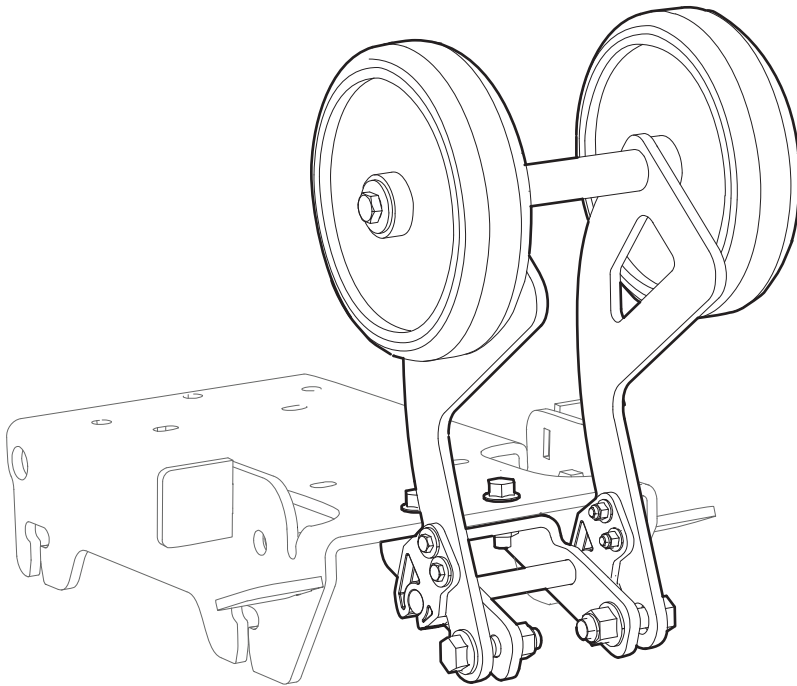
Shock absorber repair kit

Description	Remark	Quantity	Part number
Shock absorber repair kit		1	3382 1000 05
Shock absorber	For ground plate See section "Ground plate installation".	4	4700 7927 06
Washer	10.5 x 28 x 6 mm 0.41 x 1.10 x 0.24 in. 300 HV See section "Ground plate installation".	4	-
Nut	M10 A3K See section "Ground plate installation".	8	-
Shock absorber	For handle See section "Handle, standard".	2	4700 3918 22
Washer	11 x 35 x 2 mm 0.43 x 1.38 x 0.08 in See section "Handle, standard".	2	-
Screw	M10 x 70 mm 8.8 A3K See section "Handle, standard".	2	-

Eccentric element repair kit

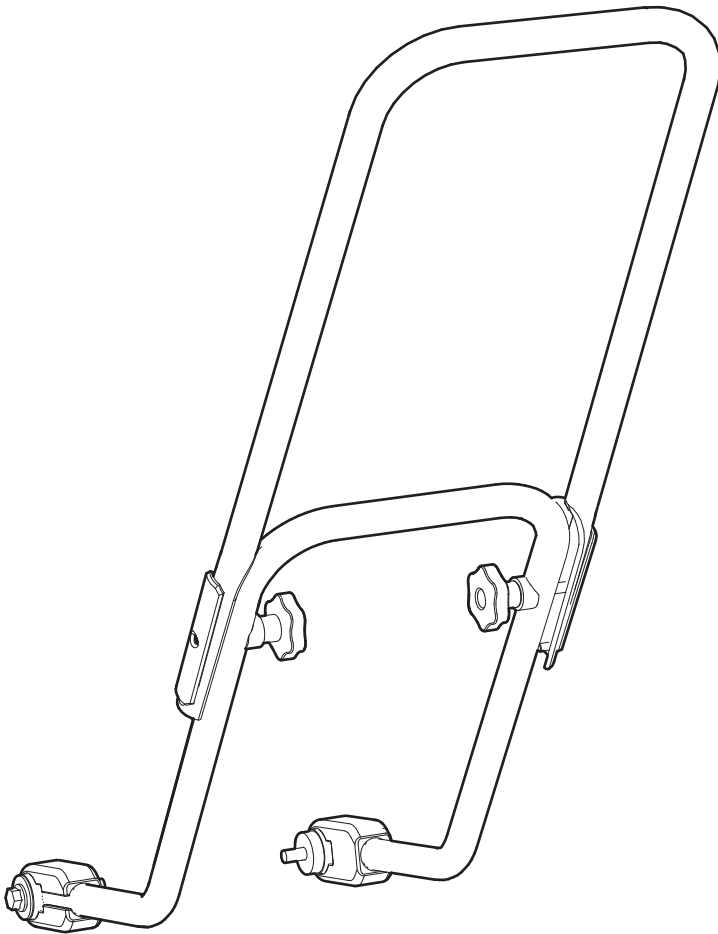
Description	Remark	Quantity	Part number
Eccentric element repair kit		1	3382 1000 03
Screw	M8 x 25 mm 8.8 A2K See section "Ground plate installation".	1	-
Washer	8.4 x 22 x 3 mm 0.33 x 0.87 x 0.12 in. HV300 See section "Ground plate installation".	1	-
Oil seal	See section "Ground plate installation".	1	4700 1631 05
Screw	M6 x 16 mm 8.8 A2K See section "Ground plate installation".	6	-
Bearing	See section "Ground plate installation".	2	4700 7927 10

Transport device kit



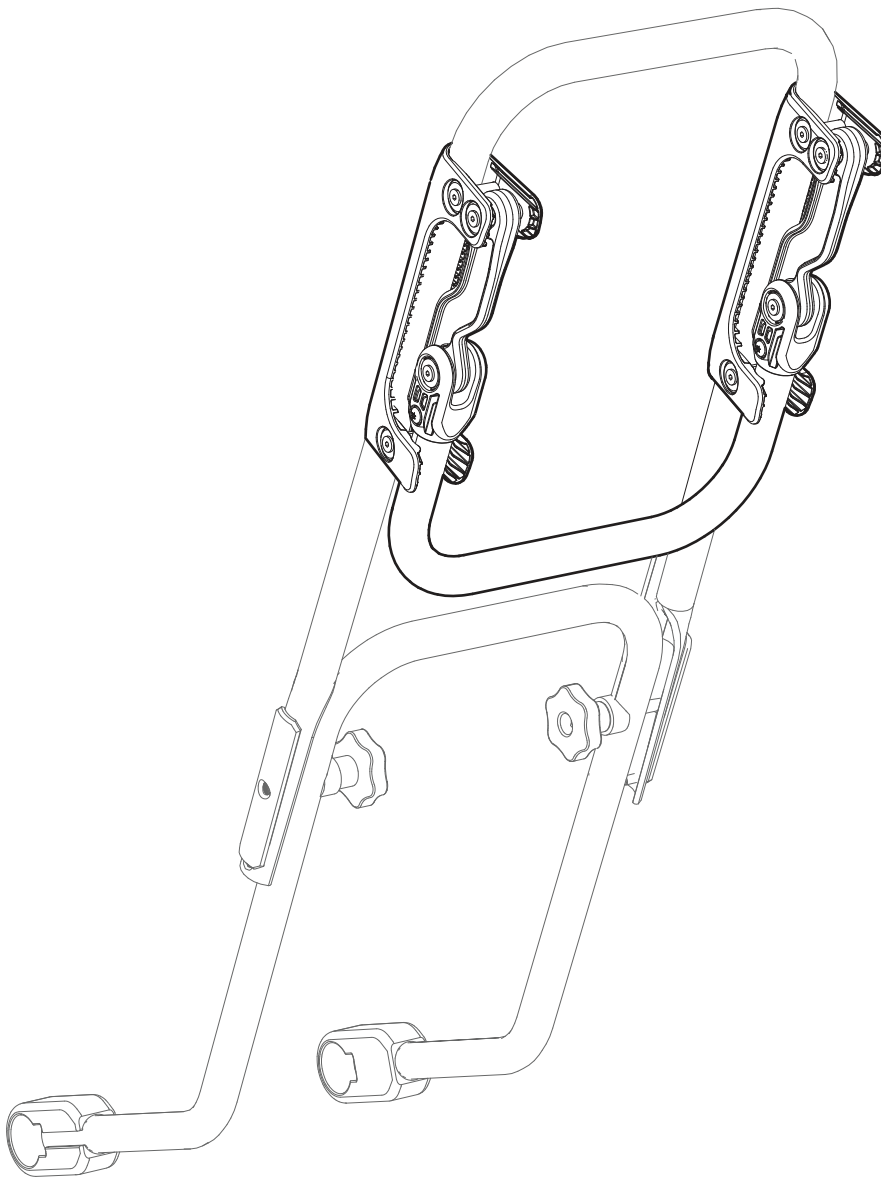
Description	Remark	Quantity	Part number
Transport device kit		1	3382 0102 13
Wheel bracket		1	-
Nut	M10 x 1.5 mm A3K	2	-
Screw	M10 x 40 mm 8.8 A3K	2	-
Screw	M8 x 25 mm 8.8 A2K	2	-
Bracket		1	-
Wheel		2	-
Clip		2	-
Nut	M5 A2K	4	-
Screw	M5 x 25 mm 8.8 A2K	4	-
Washer	8.4 x 25 x 2 mm 0.33 x 0.98 x 0.08 in.	4	-
Washer	8.4 x 25 x 2 mm 0.33 x 0.98 x 0.08 in.	2	-
Screw	M8 x 12 mm 8.8 A2K	2	-

Handle kit



Description	Remark	Quantity	Part number
Handle kit		1	3382 1001 84
Handle	Upper	1	-
Handle	Lower	1	-
Bracket		2	-
Knob		2	-
Screw	M10 x 70 mm 8.8	2	-
Washer	35 x 11 x 2 mm 1.38 x 0.43 x 0.08 in.	2	-
Sleeve		2	-
Shock absorber		2	-
Sleeve		2	-
Retainer ring		2	-
Washer	5.3 x 10 x 1 0.21 x 0.39 x 0.04 in.	2	-

Vibration damped handle kit



Description	Remark	Quantity	Part number
Vibration damped handle kit		1	3382 1001 83
Handle		1	-
Bracket		2	-
Shock absorber		2	-
Bracket		2	-
Screw	M5 x 10 mm A2K	8	-
Nut	M6 x 30 mm	8	-
Screw	M6 x 12 mm 10.9 A2T	16	-
Washer	6.4 x 18 x 1.6 mm 0.25 x 0.71 x 0.06 in. A2T	16	-
Bracket		2	-



Any unauthorized use or copying of the contents or any part thereof is prohibited.
This applies in particular to trademarks, model denominations, part numbers, and
drawings.

© 2013 Atlas Copco Construction Tools AB | No. 9800 1120 01c | 2013-04-23

www.atlascopco.com